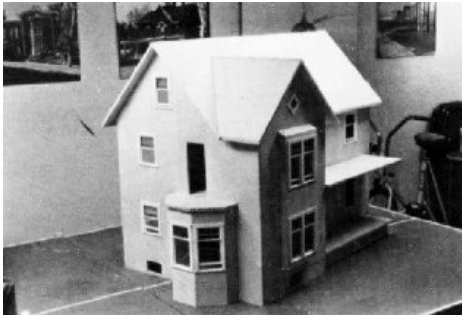


Volume 8 (1983-1984)

VOLUME 8, No. 1 (Fall, 1983) \$4.00

THE SCALE CABINETMAKER

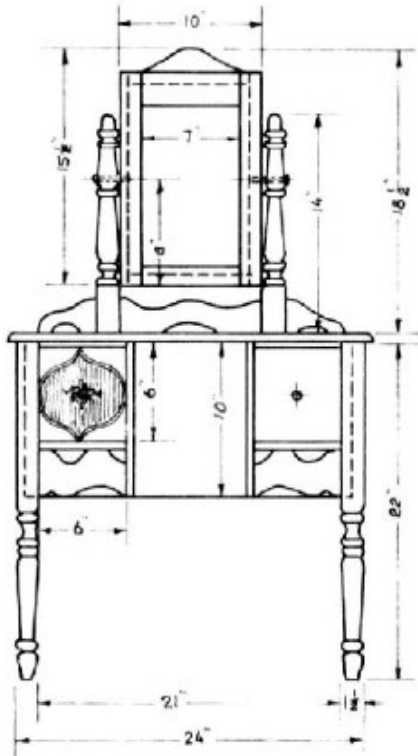




The Scale Cabinetmaker

Volume 8: Number 1

Fall, 1983



Decorating for a 1929 Christmas.....4

Child-Size Vanity Dresser & Bench (*H. Dorsett*)....6

1929 Artificial Christmas Tree.....8

Toddler's Toys from Montgomery Ward
(*Pam Wright*).....10

Model in a Minute: Candle Shelf (*Marie Heuer*).....11

Building Furniture with Commercial Turnings
(*Jim & Helen Dorsett*).....12

Slat Back Chair.....12

Jacobean Hutch Table.....15

Slat Back Arm Rocker.....17

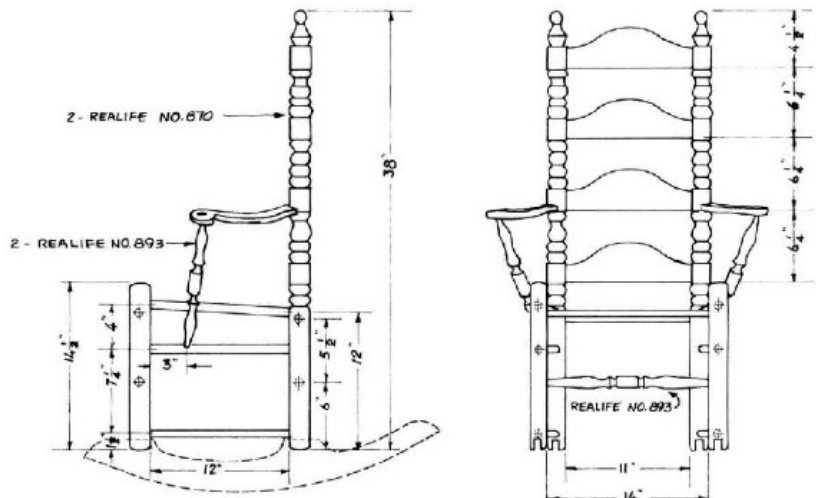
Casablanca Ceiling Fan with a Built-In Motor
(*Wm. Ted Roubal, PhD*).....18

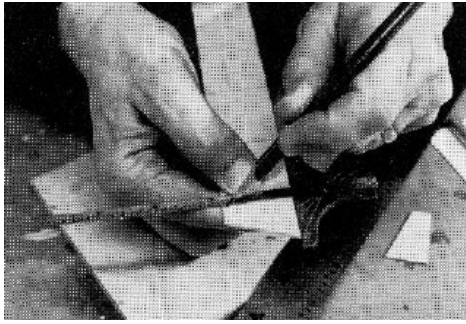
Introducing a New House Plan Series: The Green
Window House (*Fred Stephenson*).....24

Tudor Swiveled Bookcase (*Helen Dorsett*).....34

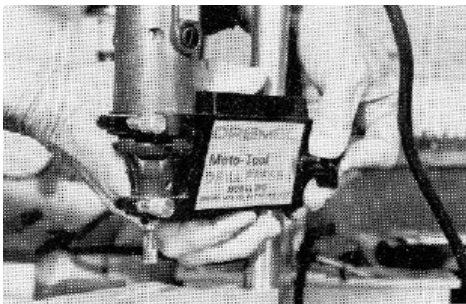
TSC Reviews.....37

Spinning Wheel (Conclusion) (*Hillman R Grosse*)....40





The Scale Cabinetmaker
Volume 8: Number 2
March/April 1984



Country Living.....4
 Assembling the Realife Country Living Room Kit...5
 Stenciled Floor Cloth (*Helen Dorsett*).....7
 Twirling Boy & Girl Toy (*Pamela Wright*).....9
 The Use Look: A Distressed Finish for a Kit
 Settle (*Bill Postman*).....10
 Chair Leg & Rung Assembly with Hand Tools.....12
 Building Furniture with Commercial Turnings
 Low Back Windsor Armchair (*Helen Dorsett*).....16
 TSC Product Review.....19
 The Valet Chair (*William S. Miller*).....20
 The Beginner's Workbench: Using the Dremel
 Drillpress.....23
 Cottage Spindle Sofa from Kansas (*J. Dorsett*).....29
 Plastic Jigs & Fixtures (*John Ottewill*).....37
 Hidden Wiring Update: An Improved Wiring
 Channel Router (*J. Jedlicka*).....43
 Regulated Power Supply for Miniature Settings
 (*Glen Botto*).....49

FEED WORK & JIG
 ALONG SANDER
 FENCE CLAMPED
 TO TABLE

ISOMETRIC DWG. OF JIG

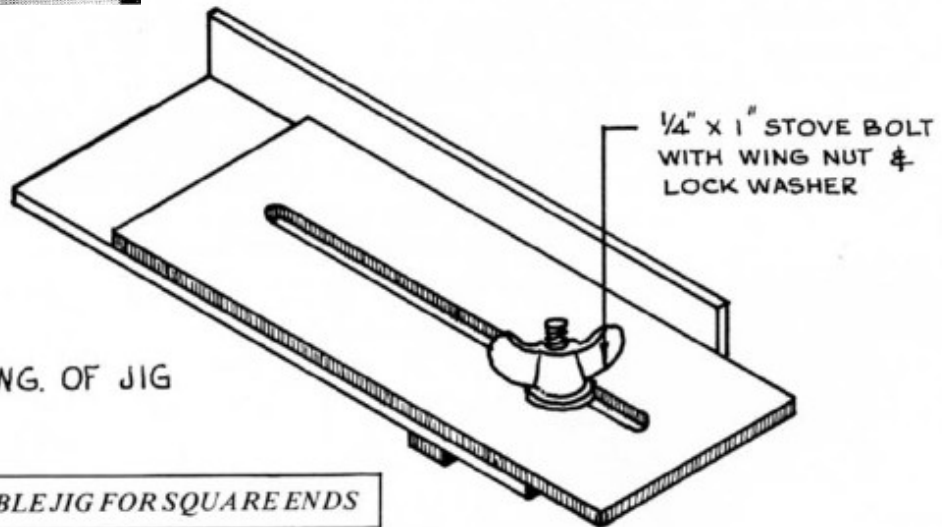
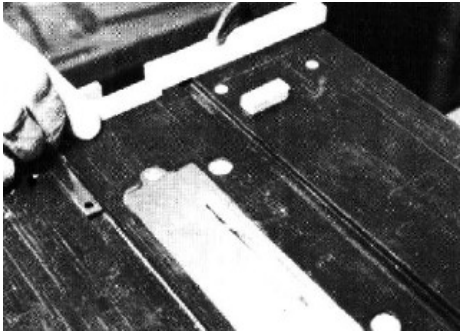


FIGURE 6. ADJUSTABLE JIG FOR SQUARE ENDS



The Scale Cabinetmaker

Volume 8: Number 3

May/June 1984

Chippendale...with some Changes: A TSC Cover.....4

Reflections in a Victorian Parlor: An Operating
1870 Kaleidoscope (*Ruth Armstrong*).....6

Beginner's Workbench: Table Saw Safety.....12

Colonial Baby Tender (*Marie Heuer*).....17

Two Eighteenth Century Cellarettes
(*Wm. S. Miller*).....19

Products of Interest.....27

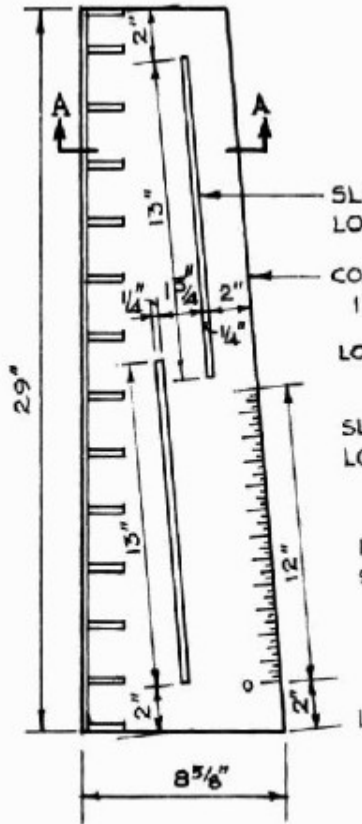
What's New? Not Much! American Standard
Bathroom Fixtures (c. 1930) (*Helen Dorsett*).....29

High Style: A New England Fancy Chair (1800-1820)
(*Helen Dorsett*).....36

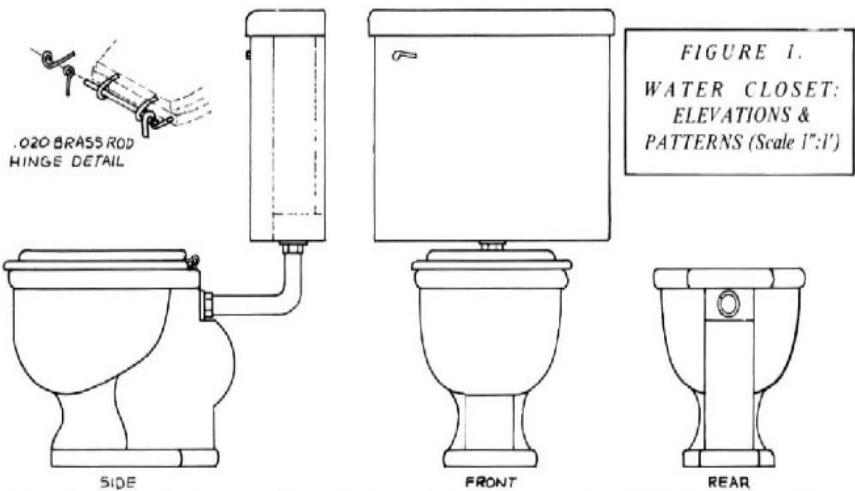
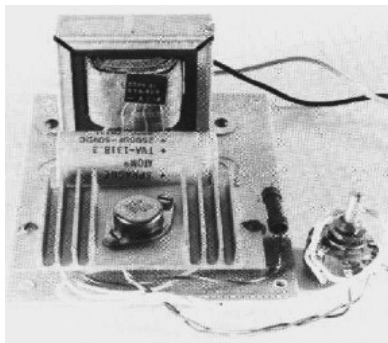
Jigs & Fixtures (Part 2): Acrylic Power Tool Jigs
(*John Ottewill*).....39

Direct Current Power Supply (*Wm. T. Roubal*).....45

Sears, Roebuck Kitchen Range (c. 1905)
(*John Gray*).....47



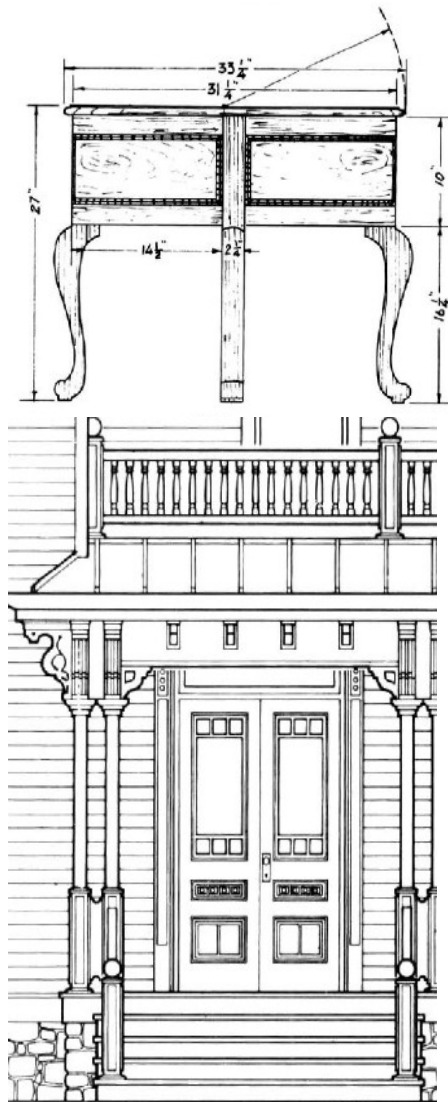
ADJUSTABLE FENCE



The Scale Cabinetmaker

Volume 8: Number 4

July/August 1984



Queen Anne Spice Chest (*Wm. S. Miller*).....4
 Hand Decorated Furniture: Two Alternatives
 (*Wm. Postman Jr.*).....9
 The Beginner's Workbench: Table Saw Blade &
 Fence Adjustment.....13
 A Colonial Swinging Cradle (*Marie Heuer*).....18
 The Hollins College Lady's Desk (*Jim Dorsett*).....20
 An Italianate Victorian House in 1/4 Scale
 (*Fred Stephenson*).....24+ Centerfold
 Power Wood Carver (*Jim Jedlicka*).....31
 Enhancing the Realism of a Miniature Grandfather
 Clock: Ading Pendulum Motion & Tic-Toc Circuit
 (*Wm. Ted Roubal*).....36
 The Home Workshop.....44
 TSC Product Reviews.....46
 Products of Interest.....47

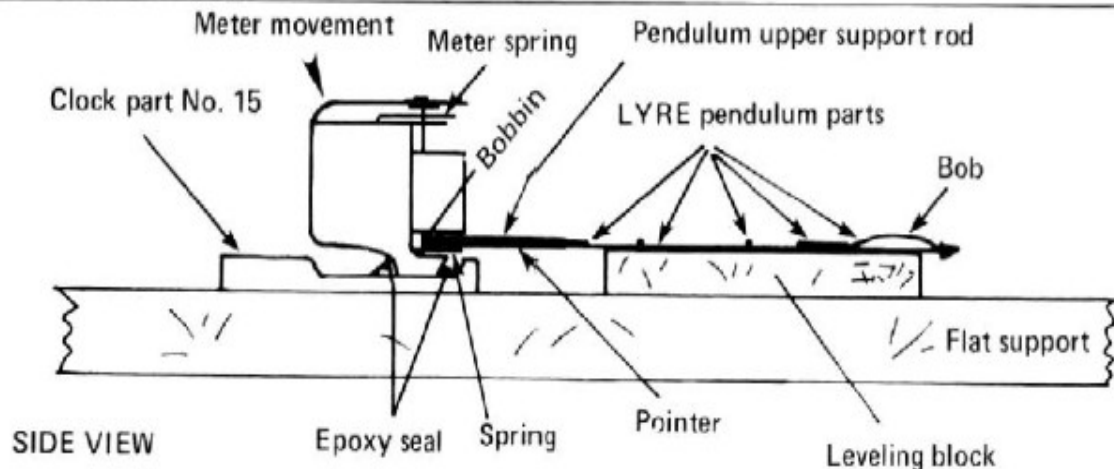
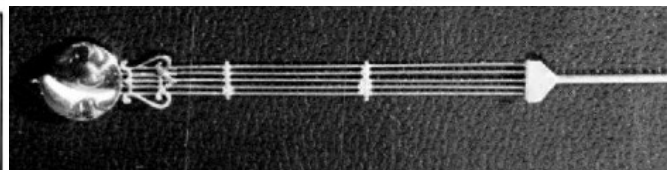


FIGURE 6. Sealing the pendulum into the meter movement. Spacers are used to support the movement and pendulum while sealing the parts together with epoxy resin.

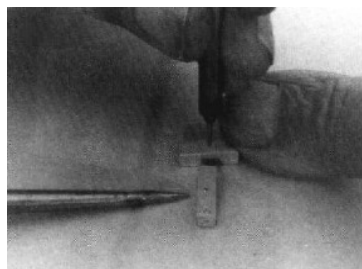
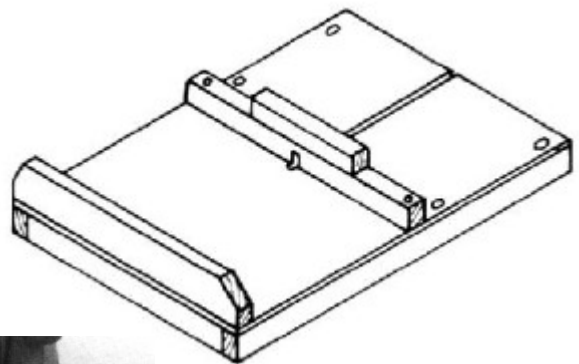
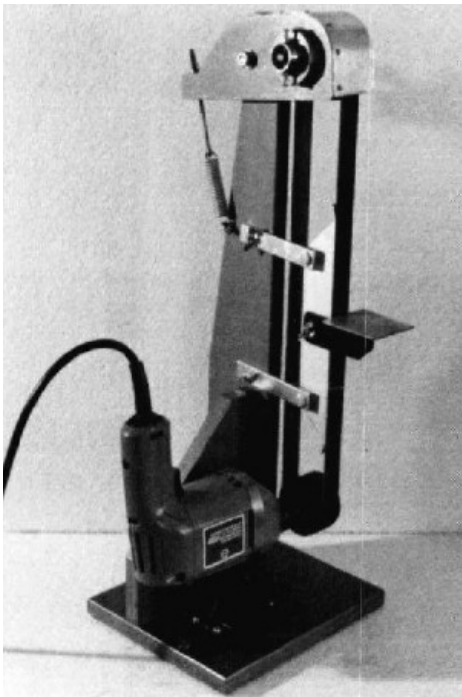
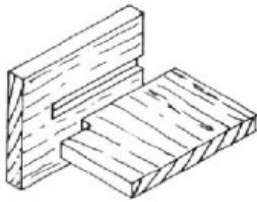
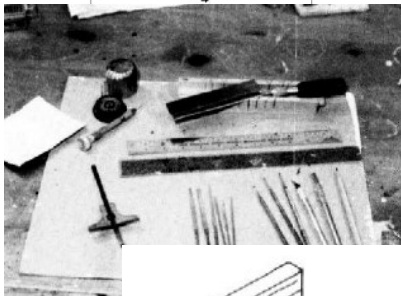
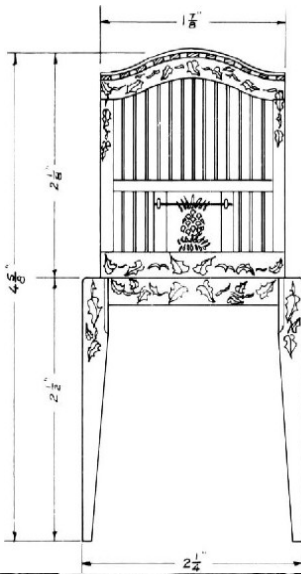


The Scale Cabinetmaker

Volume 8: Number 5

September/October 1984

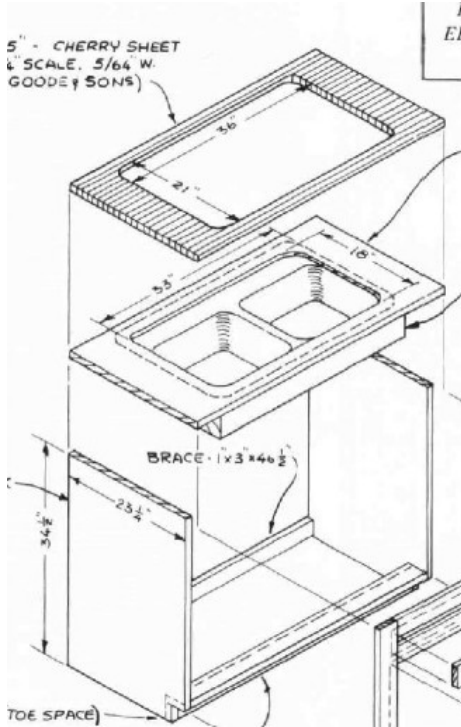
Antique Bird Cage & Stand (<i>Donna Henricks</i>).....	4
Turn-of-the-Century Parlor Stereoscope (<i>Ruth Armstrong</i>).....	9
Colonial Wooden Wash Tub & Water Bucket (<i>Marie Heuer</i>).....	14
Beginner's Workbench: Basic Furniture Joinery with Hand Tools (Part 1).....	16
What's New? Not Much (Part 2): Bathroom Fixtures, 1940-1960 (<i>Helen Dorsett</i>).....	22
Shaker Commode Chair (<i>Wm. Postman Jr.</i>).....	25
Scale Drawing From a Photo: Making and Using Proportional Dividers (<i>Jim Jedlicka</i>).....	29
The Friendly Machine: A Shop-Built Belt Sander (<i>John Gray</i>).....	36
High Volume Frame Cutting: A Sliding Miter Jig for the Dremel Table Saw (<i>Don Dube</i>).....	43
TSC Product Review.....	46



The Scale Cabinetmaker

Volume 8: Number 6

November/December 1984



A Custom Kitchen in Record Time (*H. Dorsett*)..... 4

Colonial Ratchet Candle Stand (*Marie Heuer*)..... 12

Shaker Wood Box From Pleasant Hill
(*Wm. Postman Jr.*)..... 14

Beginner's Work Bench: Basic Furniture Joinery
With Hand Tools (Part 2)..... 18

House Power in a Coal Shed (*J. Dorsett*)..... 25

Queen Anne for the 20th Century: A Realife
Dining Room Kitbash..... 34

A Dial Caliper for Your Scale Projects (*J. Jedlicka*)... 40

TSC Product Review..... 43

Products of Interest..... 44

